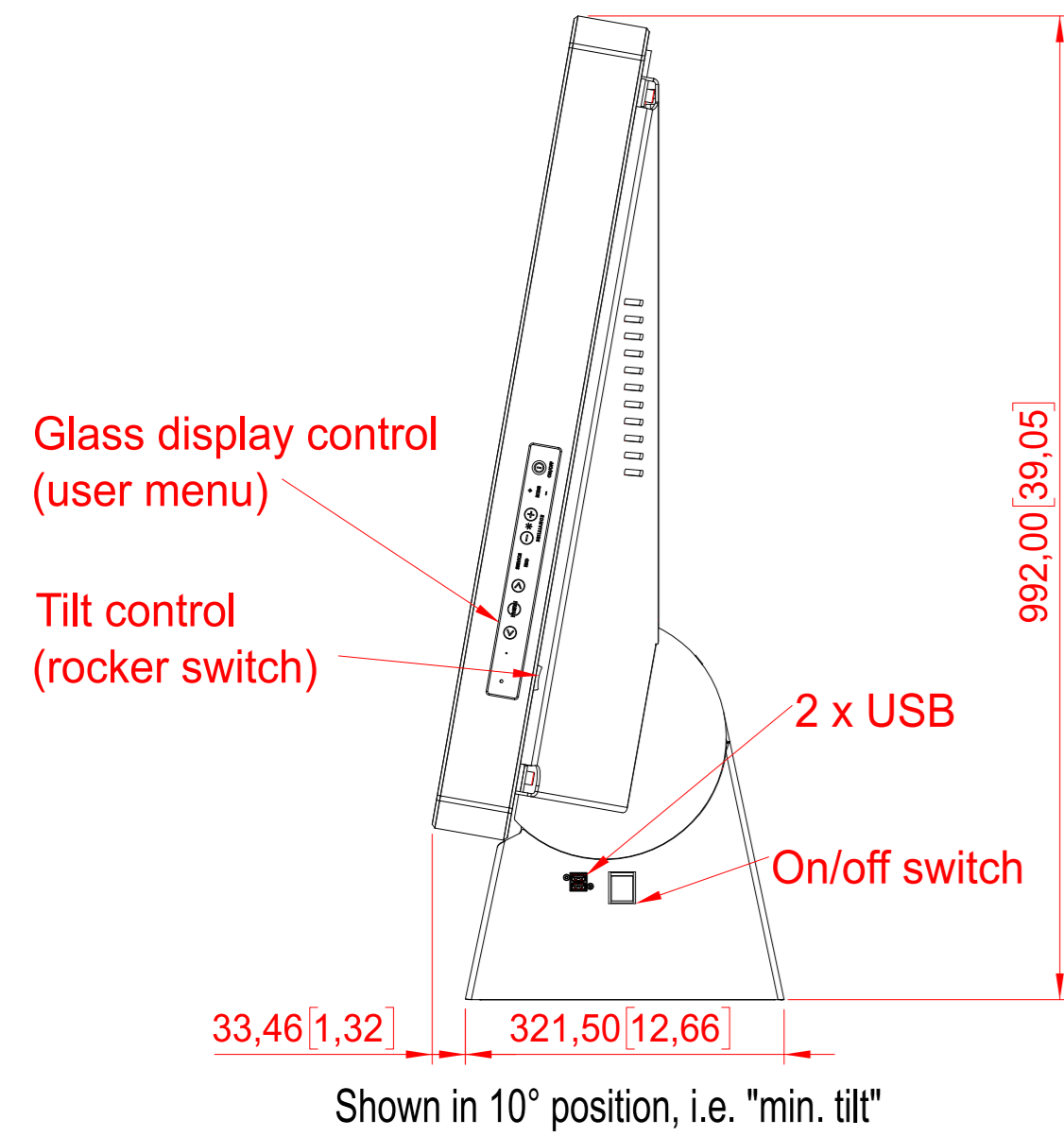
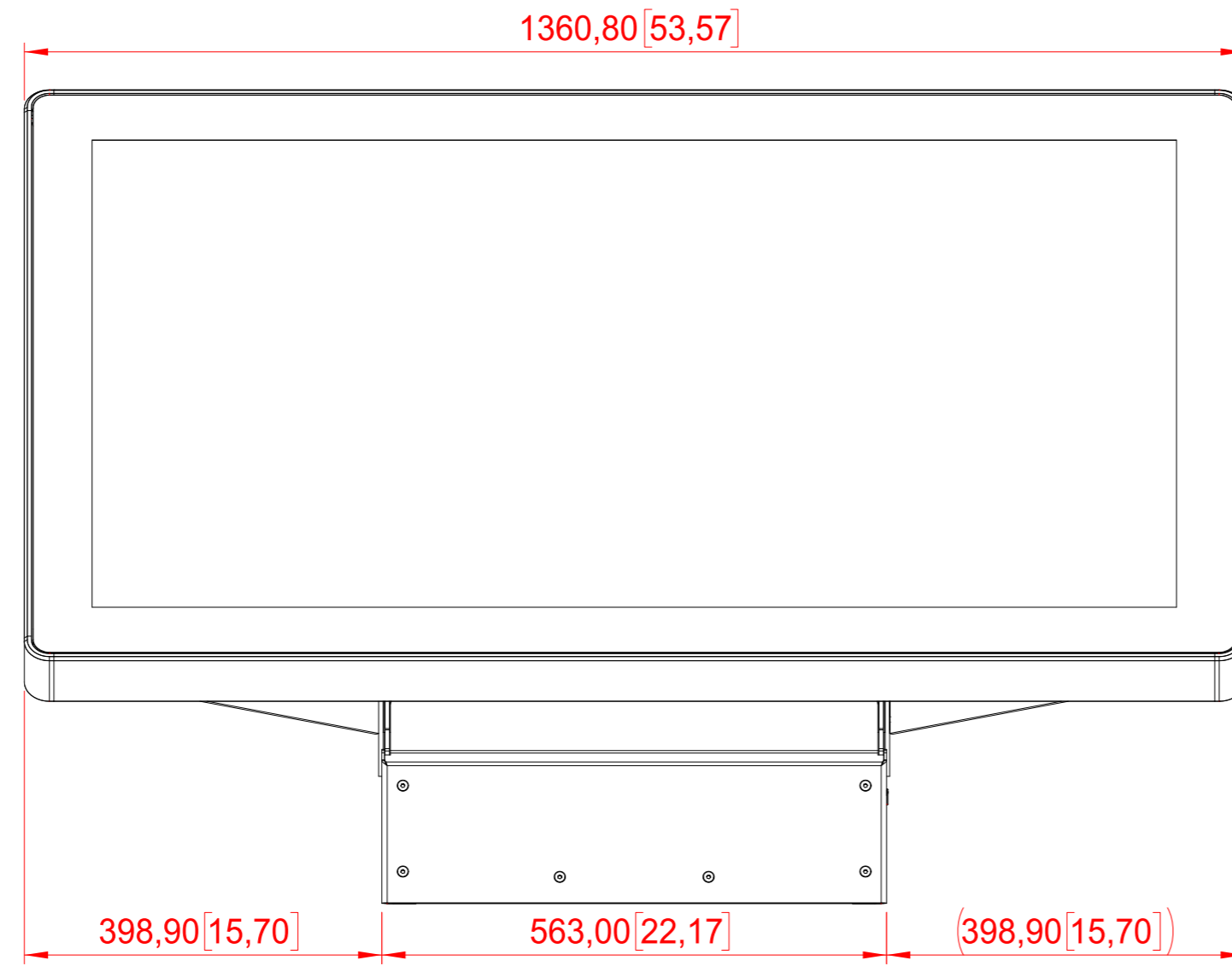


This document is the property of Hatteland Technology AS.  
 This document and any authorized reproduction thereof, must not be used in  
 any way against the interest of Hatteland Technology AS.  
 Any authorized reproduction, in whole or in part, must include this legend.

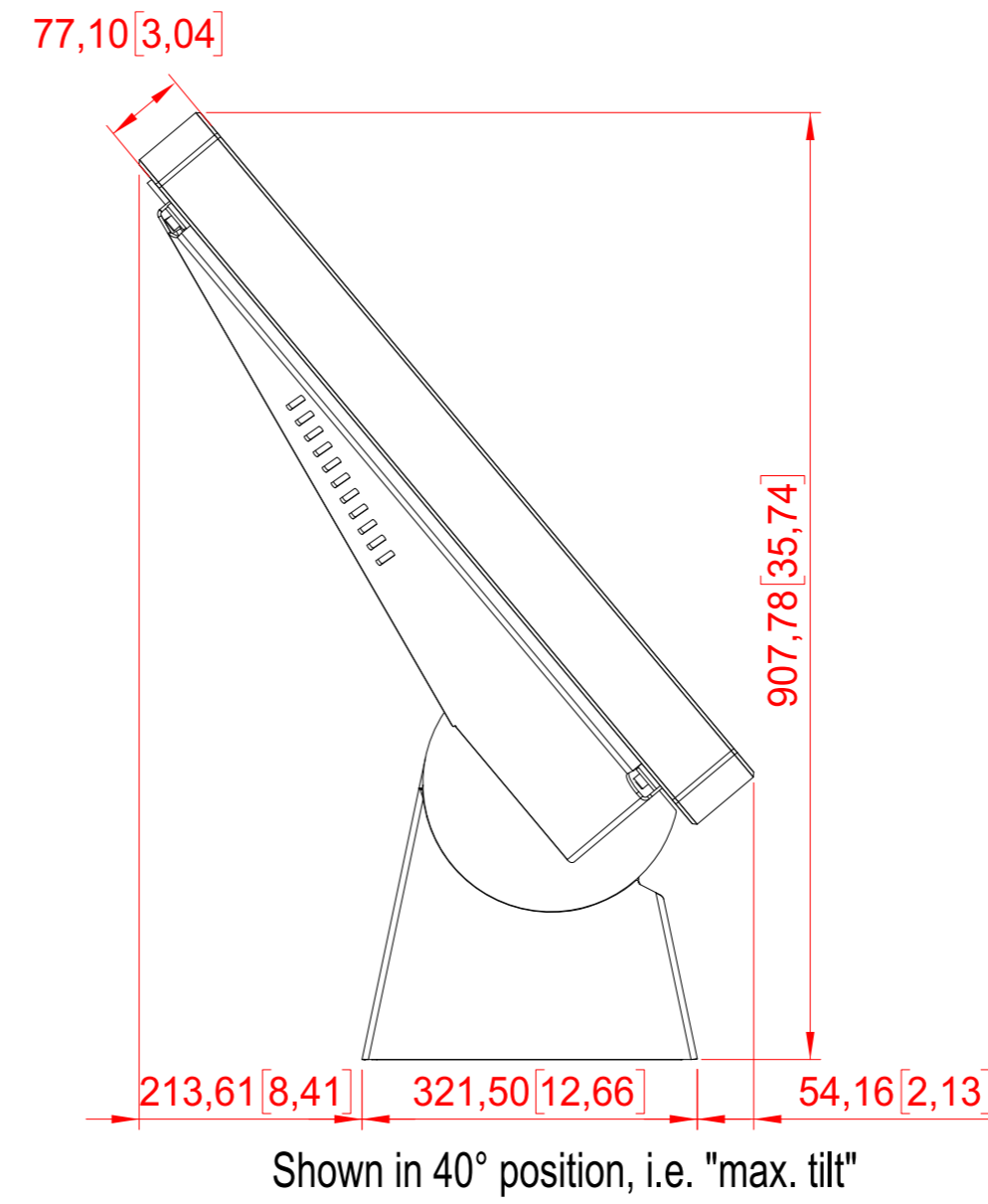
### RIGHT VIEW



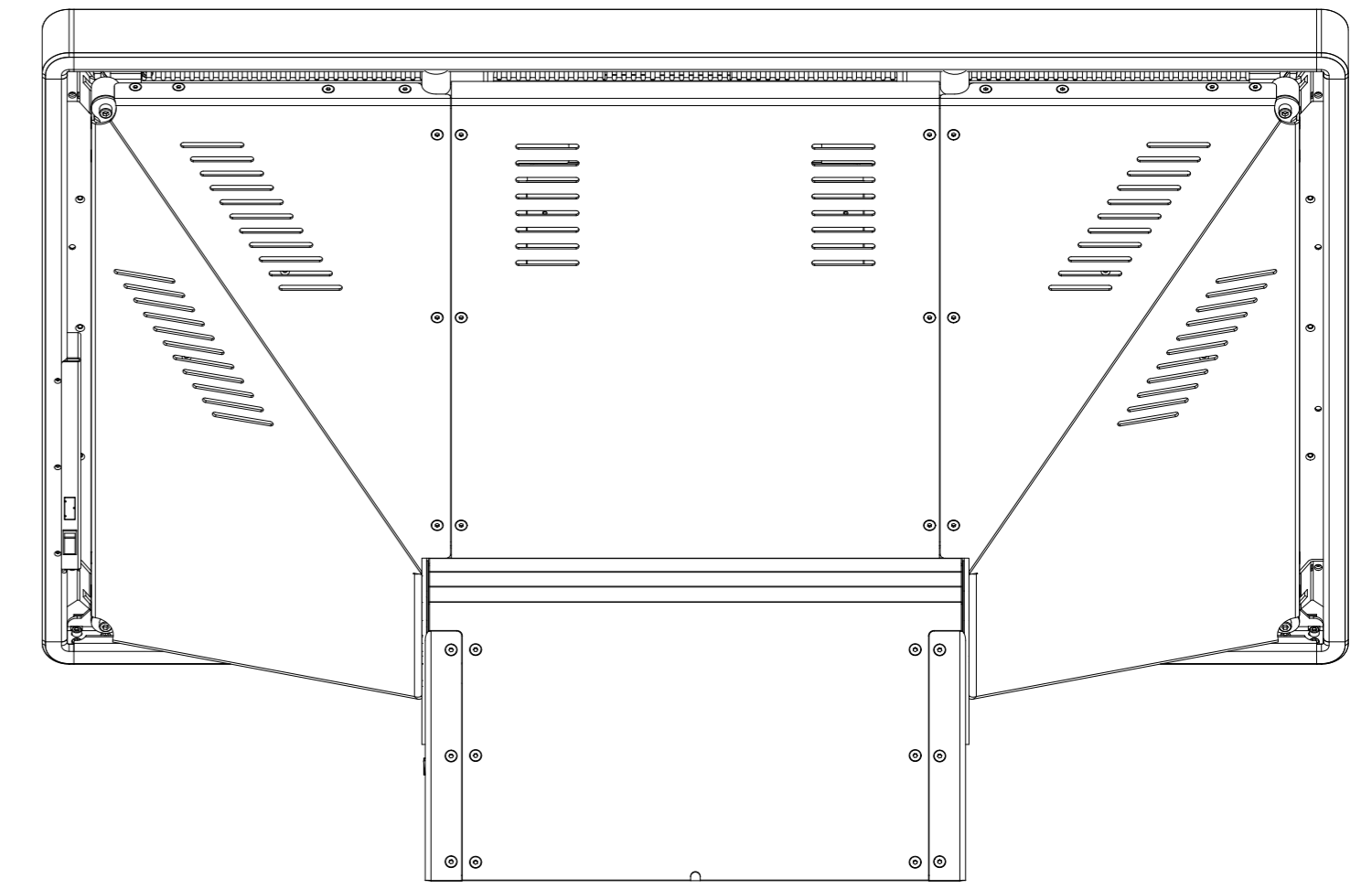
### FRONT VIEW



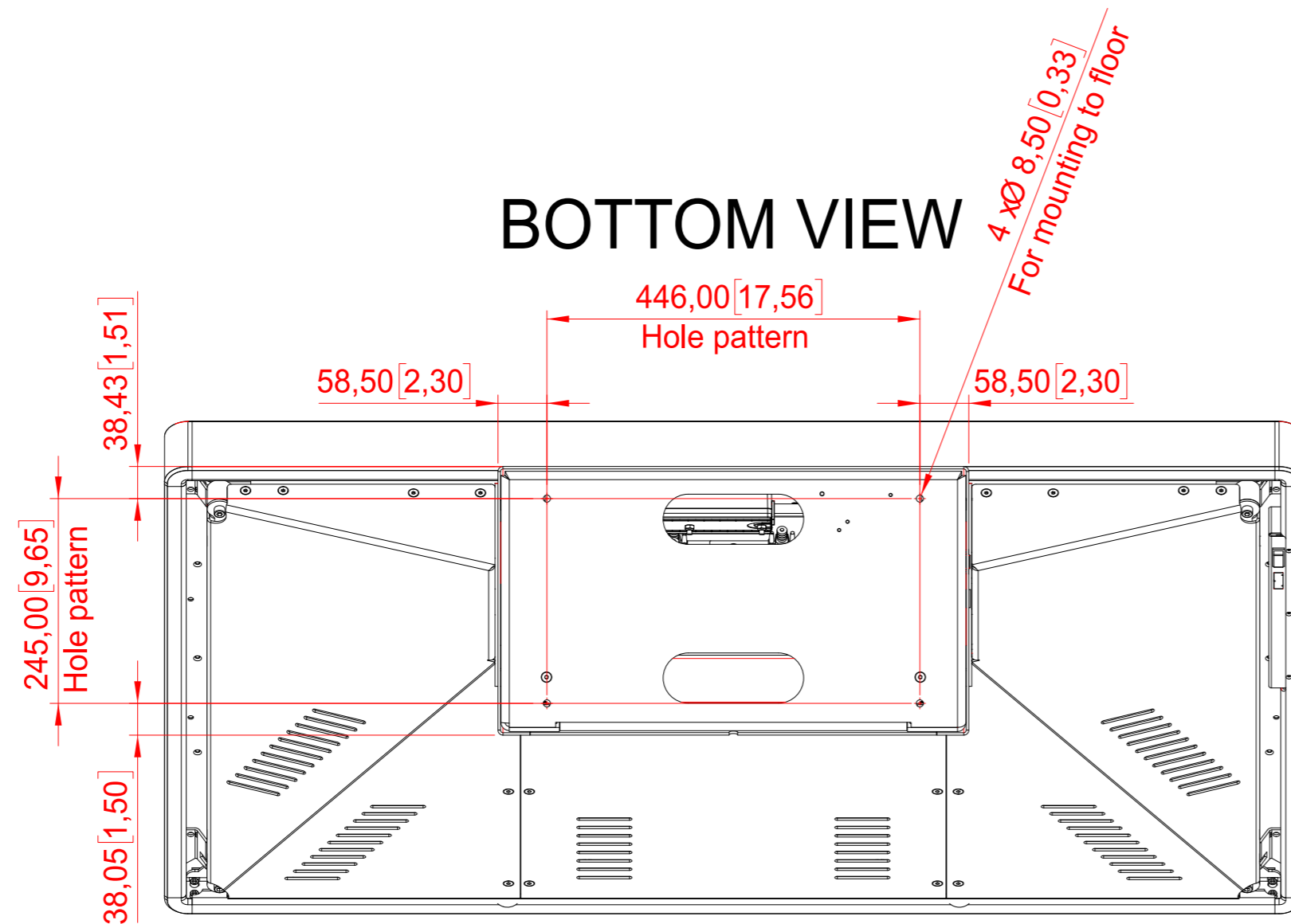
### LEFT VIEW



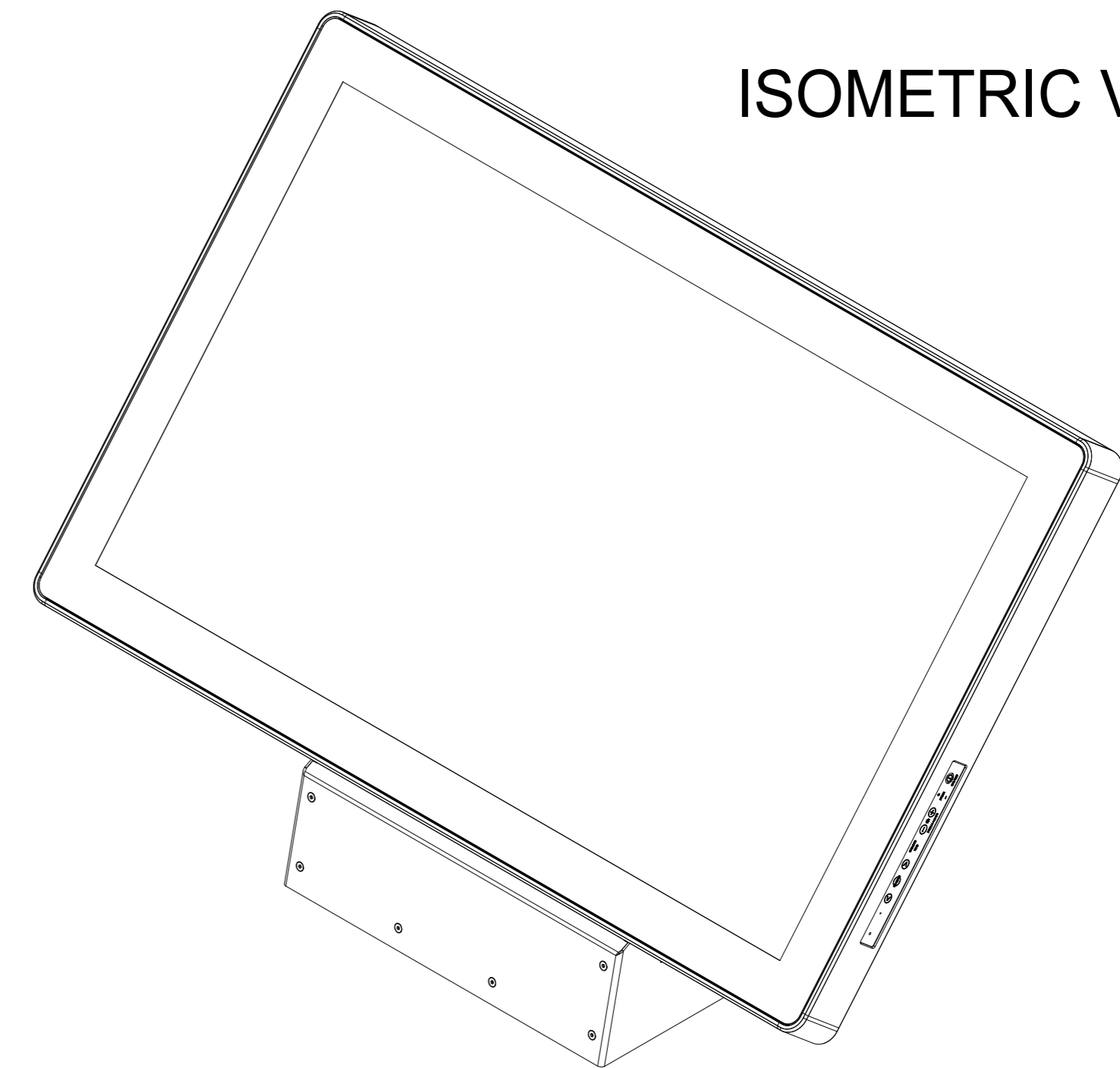
### BACK VIEW



### BOTTOM VIEW



### ISOMETRIC VIEW



Units: mm [inches]

**SALES DRAWING HD 55T22 MVD-AA1-LOGA (Floor Tilt Model)**  
 shown in this drawing, but measurements generally apply for all HD 55T22 MVD-xxx-Lxxx models.

Creation date / by: / 29.11.17 7258	Projection	A2	HATTELAND TECHNOLOGY an EMBRON Company	
Last rev. date / by: /		Scale: 1:10	Approved by: 7258    Revision:	
Hatteland Technology AS Eikeskogvegen 52 N-5570 Aksdal	Sheet 1 / 1	Colour code:	Drawing number:	
	Tolerance	Welding specification		
	ISO 2768-mK	NS-EN-288-4	Surface treatment:	